

## INTRODUCTION

This addendum provides detailed instructions for sizing the femoral component with the posterior referencing technique. All steps should be completed up until this point as described in the standard Optetrak Logic® operative technique. The Optetrak Logic posterior referencing system allows for posterior femoral bone resections to remain constant for all sizes. However, the anterior resection will change when a larger or smaller femoral size is chosen. Attention to anterior notching is very important. If it appears that the anterior resection will be below the anterior cortex a larger femoral size must be selected. If it appears that there is an insufficient bone resection on the anterior cortex based on this location, the finishing guide could be downsized to shift the anterior resection lower.

### STEP 1: SIZING THE FEMORAL COMPONENT

The first step is the determination of the dimension of the femoral component. Place the **LPI Posterior Referencing Femoral A/P Sizer** flush against the resected distal surface of the femur. An **LPI Offset A/P Sizer Handle** is provided to facilitate insertion and manipulation of the A/P Sizer (*Figure 1*).

The posterior feet of the A/P Sizer should be placed against the posterior femoral condyles. If a posterior condylar defect is present, the **LPI Posterior Referencing Femoral A/P Sizer** should be rotated to a position that accommodates the defect. Due to the size of the incision and the medial arthrotomy, the A/P Sizer could be placed slightly medial on the femoral bone. The A/P Sizer is adjusted to the femoral size.

Palpate the position of the tip of the Stylus Pointer, trying to make it rest in the midportion of the femoral metaphysis. It is advisable to choose a larger femoral size if the A/P Sizer is measuring between sizes. Additionally, the wings on the medial and lateral sides of the sizer can be used to assist in femoral sizing.

If additional A/P adjustment is necessary, a +2mm Offset Drill Guide is available.

Verify that the A/P Sizer is flat against the distal femoral surface, and drill holes with the **LPI Collar Drill**.

OPTETRAK  
**LOGIC**®

Posterior Referencing



**Figure 1**  
Femoral A/P Sizer Placed on  
Distal Femur

## STEP 2: RESECTION OF ANTERIOR, POSTERIOR AND CHAMFER

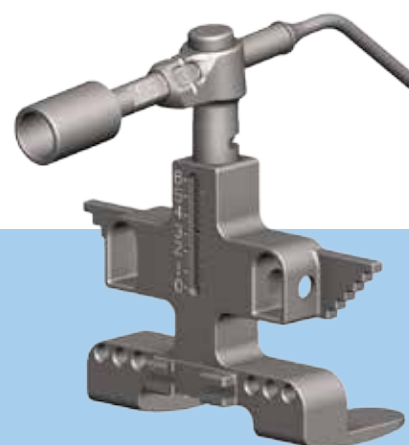
The size of the **Femoral Finishing Guide** has been determined previously with the **LPI Posterior Referencing Femoral A/P Sizer**. The **Femoral Finishing Guide** has two pegs that align with the pre-drilled rotation holes and can be pinned on the medial and lateral sides, as well as in the center with cross pins to enhance fixation stability. The anterior and posterior cuts are performed followed by the chamfer cuts. The anterior cut should be checked with the cut line predictor prior to completing the cut. Once the cuts on the distal femur have been completed, the **Femoral Finishing Guide** should be removed and the resected bone excised (*Figure 2*).

After this step has been completed, proceed with the rest of the steps as described in the standard operative technique.



**Figure 2**

Posterior Referencing-Constant Posterior Cut



## INSTRUMENT LISTING

Catalog Number	Part Description
213-56-21	LPI Posterior Referencing, Femoral A/P Sizer
213-44-01	LPI Offset A/P Sizer Handle
213-56-00	LPI 0-Degree Femoral A/P Sizer Drill Guide
213-56-01	LPI 3-Degree Femoral A/P Sizer Drill Guide, Right
213-56-02	LPI 3-Degree Femoral A/P Sizer Drill Guide, Left
213-56-10*	LPI Posterior Referencing, Femoral Finishing Guide, Size 0
213-56-11	LPI Posterior Referencing, Femoral Finishing Guide, Size 1
213-56-51*	LPI Posterior Referencing, Femoral Finishing Guide, Size 1.5
213-56-12	LPI Posterior Referencing, Femoral Finishing Guide, Size 2
213-56-52	LPI Posterior Referencing, Femoral Finishing Guide, Size 2.5
213-56-13	LPI Posterior Referencing, Femoral Finishing Guide, Size 3
213-56-53	LPI Posterior Referencing, Femoral Finishing Guide, Size 3.5
213-56-14	LPI Posterior Referencing, Femoral Finishing Guide, Size 4
213-56-15	LPI Posterior Referencing, Femoral Finishing Guide, Size 5
213-56-16*	LPI Posterior Referencing, Femoral Finishing Guide, Size 6
213-56-42	+2mm OffSet Drill Guide

\*Special Request only

Exactech Inc., as the manufacturer of this device, does not practice medicine, and is not responsible for recommending the appropriate surgical technique for use on a particular patient.